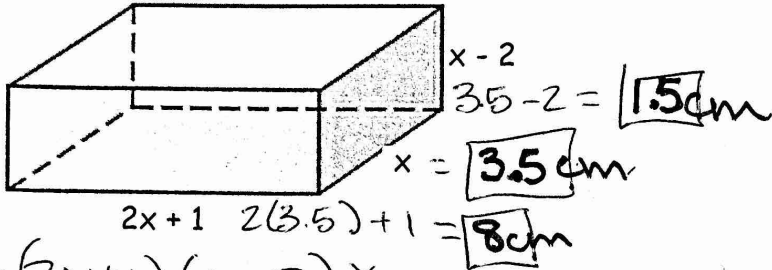


Show all work! Write and solve a polynomial equation to find the dimensions of the solid with the given volume.

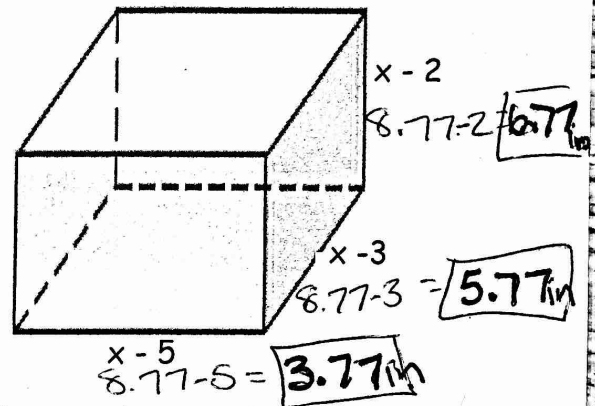
1. $V = 42 \text{ cm}^3$



$$42 = (2x+1)(x-2)x$$

$x = 3.5 \text{ cm}$

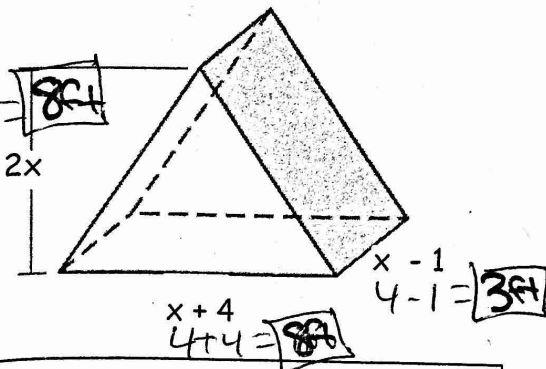
2. $V = 82 \text{ in}^3$



$$82 = (x-2)(x-5)(x-3)$$

$x = 8.77 \text{ in}$

3. $V = 96 \text{ ft}^3$

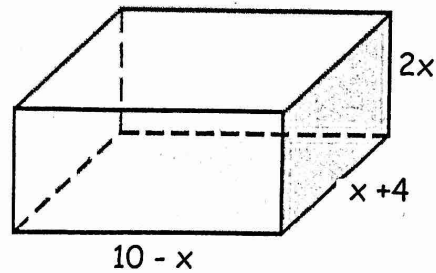


Volume of a triangular prism: $\frac{1}{2}lwh$

$$96 = \frac{1}{2}(2x)(x+4)(x-1)$$

$x = 4 \text{ ft}$

4. $V = 22 \text{ m}^3$

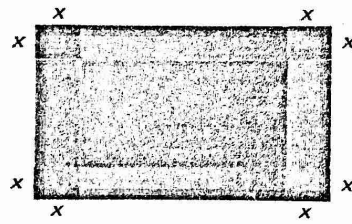


$$22 = (10-x)(x+4)(2x)$$

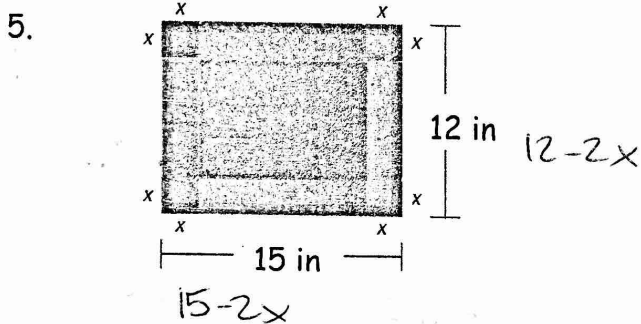
$x = 2 \text{ m}$

$x = 9.92 \text{ m}$

For problems 5-8, you have a piece of paper which you will use to make a box by cutting x inches from each corner as shown then folding up the sides.



- Write and solve a polynomial equation to find the dimensions of the solid with the given volume.
- Find the maximum volume of the box.



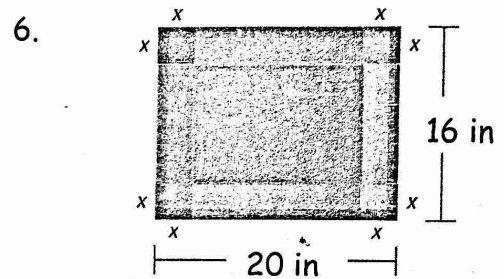
a. $V = 150 \text{ in}^3$

$$150 = x(15-2x)(12-2x)$$

$$x = 1.27 \text{ in}$$

$$x = 3.29 \text{ in}$$

b. max volume = 177.23 in^3



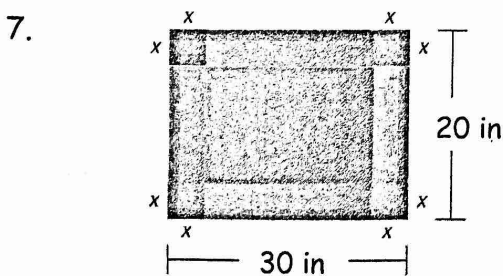
a. $V = 300 \text{ in}^3$

$$300 = x(20-2x)(16-2x)$$

$$x = 1.28 \text{ in}$$

$$x = 5$$

b. max volume = 420.11 in^3



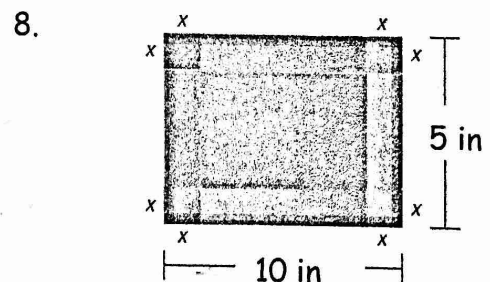
a. $V = 900 \text{ in}^3$

$$900 = x(30-2x)(20-2x)$$

$$x = 2.3 \text{ in}$$

$$x = 5.77 \text{ in}$$

b. max volume = 1056.31 in^3



a. $V = 20 \text{ in}^3$

$$20 = x(10-2x)(5-2x)$$

$$x = .6 \text{ in}$$

$$x = 1.57 \text{ in}$$

b.

max volume = 24.06 in^3